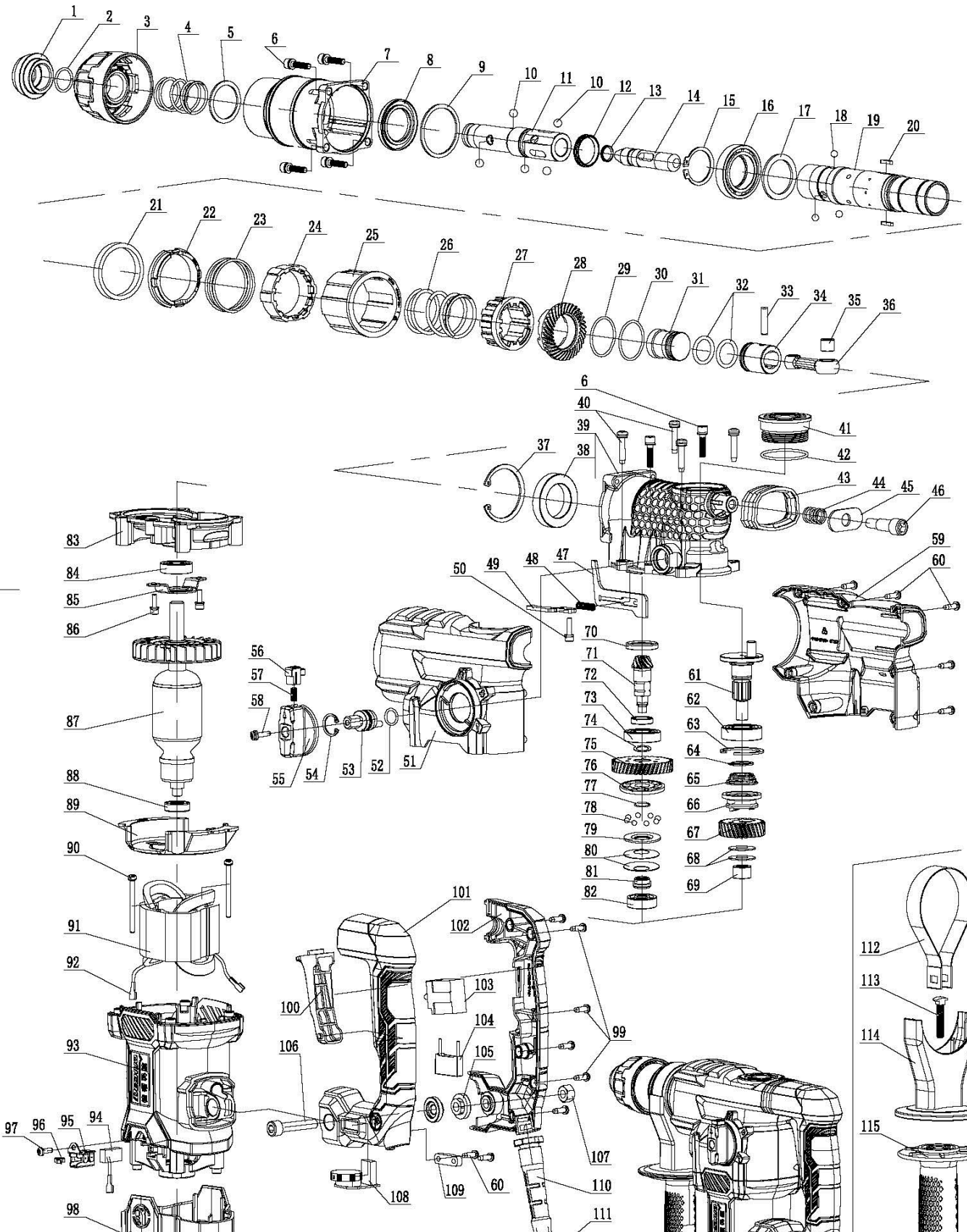




**5907905901**

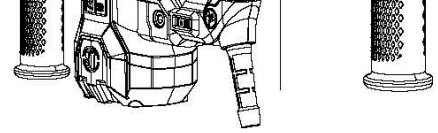
electric hammer drill  
DH1500 Plus  
scheppach (DIY)



# Schepach

5907905901

electric hammer drill  
DH1500 Plus  
schepach (DIY)



## Main products

## Spare part list

5907905901

192417 - 0271 - PX-BH-7V - -

| Spare      | Description                | additional                      | Item  | Abb. | ConstructStatus |
|------------|----------------------------|---------------------------------|-------|------|-----------------|
| 3907903001 | rubber head \32KI          |                                 | 1     | A    | *               |
| 5907902090 | clip ring                  |                                 | 2     | A    | *               |
| 3907903002 | ball holder                |                                 | 3     | A    | *               |
| 3907903003 | pressure spring            |                                 | 4     | A    | *               |
| 3907903004 | oil seal \30*45*6          | Ø45 x 30 x 6                    | 8     | A    | *               |
| 3907903005 | washer\30FA 47*40.5*1.5    | Øa.46,5 / Øi. 40,5 x 1,5        | 9     | A    | *               |
| 3907903006 | Rotating sleeve with balls | Øa.24,8 x 102 / Øi. 10 / Øi. 15 | 10,11 | A    | *               |
| 3907903007 | impact hammer              | Ø15 x 70                        | 14    | A    | *               |
| 3907903008 | cylinder cpl.              |                                 | 18-20 | A    | *               |
| 3907903009 | spring                     |                                 | 23    | A    | *               |
| 3907903010 | clutch spring              |                                 | 26    | A    | *               |
| 3907903011 | clutch                     |                                 | 27    | A    | *               |
| 3907903012 | gear \34teeth              | 34 Zähne                        | 28    | A    | *               |
| 3907903013 | Piston 25x27               |                                 | 33    | A    | *               |
| 3907903014 | connecting rod             |                                 | 36    | A    | *               |
| 3907903015 | gear box                   |                                 | 39    | A    | *               |
| 3907903016 | knob shaft cpl             |                                 | 52-54 | A    | *               |
| 3907903017 | function knob cpl.         | red                             | 55-58 | A    | *               |
| 3907903018 | eccentric shaft cpl.       |                                 | 61-69 | A    | *               |
| 3907903019 | bevel gear cpl.            |                                 | 70-82 | A    | *               |
| 3907903020 | rotor                      |                                 | 87    | A    | *               |
| 3907903021 | stator                     |                                 | 91    | A    | *               |
| 3907903022 | carbon brush               |                                 | 94    | A    | *               |
| 3907903023 | back cover                 |                                 | 98    | A    | *               |
| 3907903024 | switch                     | FA2-10 2W / 250V / 10A          | 103   | A    | *               |



5907905901

electric hammer drill  
DH1500 Plus  
scheppach (DIY)

**Main products**

**Spare part list**

5907905901

192417 - 0271 - PX-BH-7V - -

| Spare      | Description  | additional                | Item      | Abb. | ConstructStatus               |
|------------|--|---------------------------|-----------|------|-------------------------------|
| 5907802004 | capacitor  | 0,33µF / 250V             | 104       | A    | *                             |
| 3907903025 | variable speed   |                           | 108       | A    | *                             |
| 5907902067 | cable clamp seat   |                           | 109       | A    | *                             |
| 5907902068 | cable sheath   |                           | 110       | A    | *                             |
| 3908201101 | cable  | H07RN-F 2x1.00mm / 2000mm | 111       | A    | *                             |
| 7915500706 | UK adapter class II 13 Amp                                   |                           | 111-1     | A    | von EU auf UK                 |
| 3907903029 | handle assy.   |                           | 112 - 115 | A    | *                             |
| 3907903027 | Drill chuck  | 1,5mm - 13mm              | o.Abb.    | A    | *                             |
| 3907903028 | case   | Practixx                  | o.Abb.    | A    | *                             |
| 3908202034 | pin wrench   |                           | o.Abb.    | A    | für Fettdeckel                |
| 7907900003 | sds-plus set point/flat chisel DH1300Plus<br>scheppach (DIY) | DH1300PLUS / Ø10          | o.Abb.    | A    | *<br>not available<br>anymore |
| 7907900004 | sds-plus set drill 8/10/12 DH1300Plus<br>scheppach (DIY)     | DH1300PLUS                | o.Abb.    | A    | *                             |
| 5907902081 | dust cover part 200  |                           | o.Abb.    | A    | *                             |
| 3305026009 | chuck key 6 mm   | 6,4 mm                    | o.Abb.    | A    | *                             |
| 3907903026 | Depth gauge  |                           | o.Abb.    | A    | *                             |

!!! Do you know: From now on you can view spare parts lists in our spare parts shop and order spare parts and accessories directly. More information can be found here: <https://www.scheppach.com/Shop.aspx>